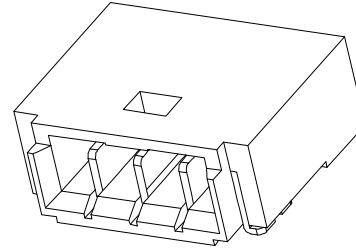
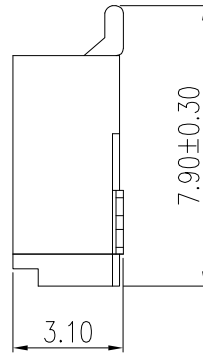
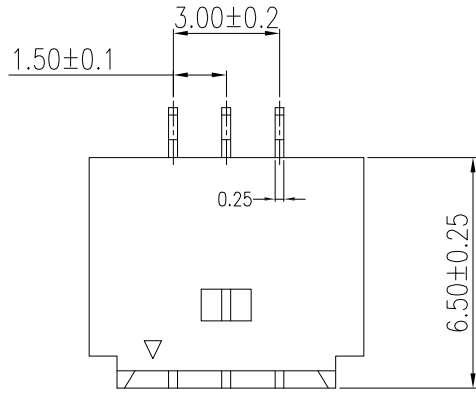
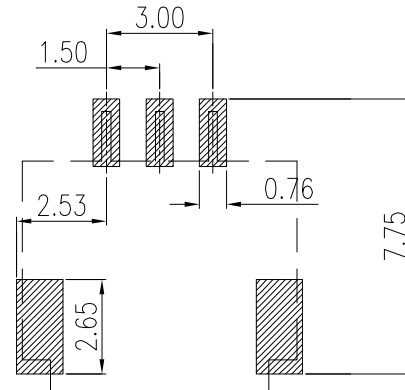
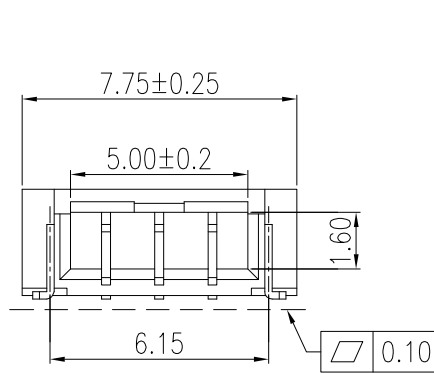


REV	ECN NO	DESCRIPTION	DATE	NAME
A	—	NEW	11/21-'19	XXL



Main Specifications:

- 1.Poles:03p
- 2.Contact Resistance:20 mΩ max.
- 3.Insulator Resistance:1000 Megohms min.
- 4.Rated voltage:150v AC DC
- 5.Rated current:1.0A AC DC
- 6.Dielectric withstanding Voltage: AC 1000V/minute
- 7.-25°C to+105°C



Ordering Information

L1504R -XX = XXXB - R

PART No. ————

No. OF CIRCUITS: ————

03

PLASTIC MATERIAL: ————

F2M=LCP (BEIGE)

F4M=LCP (BEIGE)

PACKAGING: ————

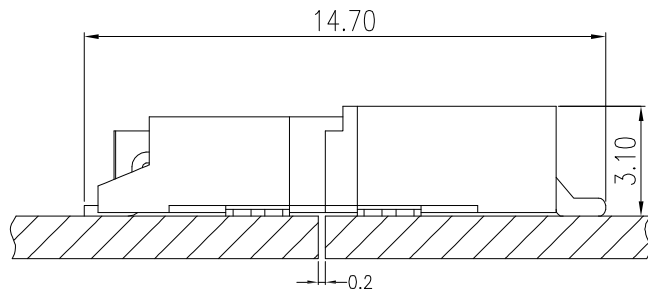
R=REEL

P=PE

PLATING: ————

B=MATTE SN

Board Layout
General Tolerance: ±0.05



Assembly Layout

STANDARD TOLERANCE (EXCEPT SPECIFIED)	
LINER	ANGLES
.0 ±0.30	0.° ±3°
.00 ±0.20	.0° ±2°
.000 ±0.10	.00° ±1°

LDCONN 东莞连大精密制品有限公司 连大 DongGuan LianDa Precision Products Co., LTD									
TITLE		1.50mm 1X3P 90° WAFER SMT TYPE		DRAWN BY		XXL		11/21-'19	
PART NO.		L1504R-03-XXXB-R		CHECKED BY					
DRAWING NO.		—		APPROVED BY					
SCALE	1:1	UNIT	mm		PAGE	1/1	SIZE	A4	