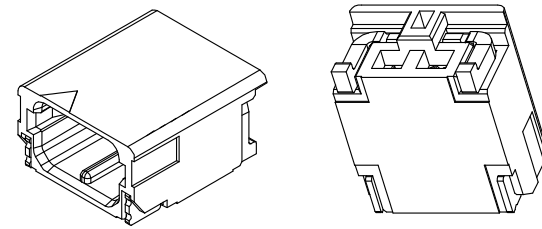
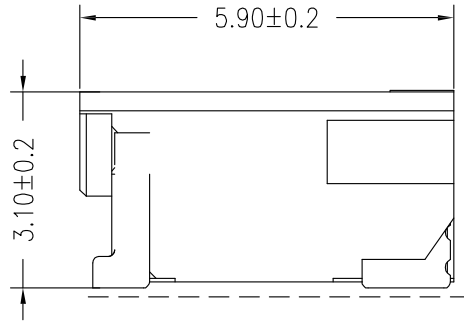
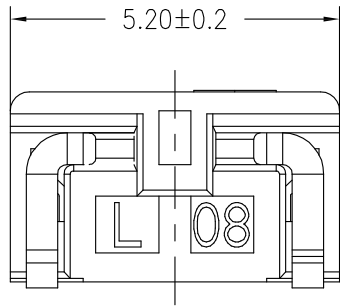


HSF RoHS

REV	ECN NO	DESCRIPTION	DATE	NAME
A	—	NEW	11/22-'19	HYJ



Main Specifications

Poles): 02

Contact resistance : $\leq 10m\Omega$

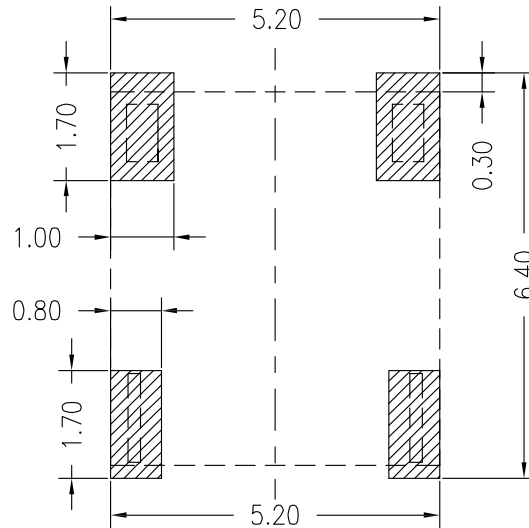
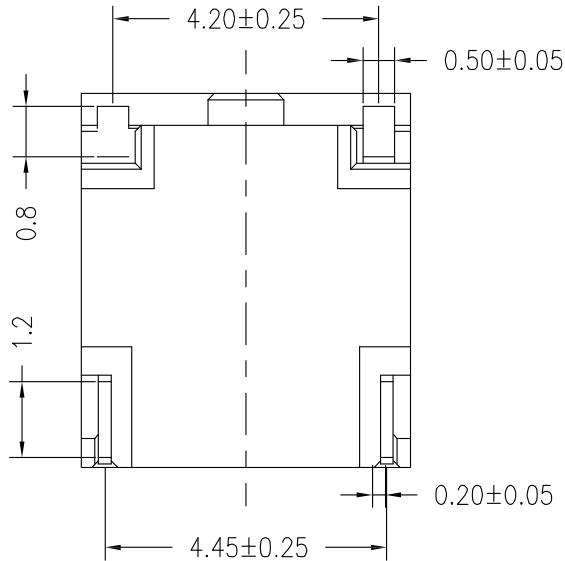
Insulation resistance : $\geq 1000M\Omega$

Rated voltage : 350V AC DC

Rated current : 4.0A AC DC (AWG22)

Withstand Voltage : 1700V AC/minute

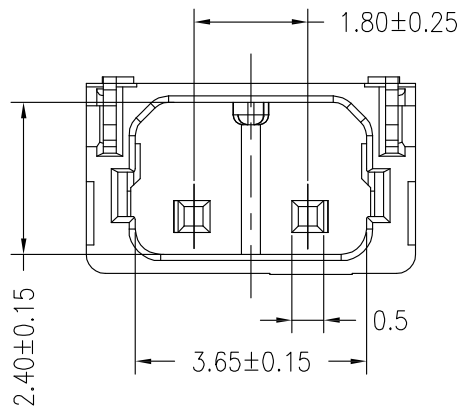
Temperature Range : $-25^{\circ}C \sim +85^{\circ}C$



ORDER INFORMATION:

PART No. L1801AWR-02-F4MA1-R		PACKAGING: R=REEL	
Number of electrodes: 02		Metal code: 1=PhosphorBronze	
PLASTIC MATERIAL: F4M=LCP(BEGIN)		PLATING: A=Sn	

Board Layout



TOLERANCE UNLESS OTHERWISE SPECIFIED	
LINER	ANGLES
.0 ±0.30	0.° ±3°
.00 ±0.20	.0° ±2°
.000 ±0.10	.00° ±1°

ITEM	COMPONENT	Q'TY	MATERIAL	FINISH
C	SOLDER TAB	2 PCS	PhosphorBronze	Sn-plated
B	CONTACT	2 PCS	PhosphorBronze	Sn-plated
A	HOUSING	1 PCS	LCP	UL 94V-0, COLOR:BEGIN

LDCONN 东莞连大精密制品有限公司
 東莞 連大 DongGuan LianDa Precision Products Co., LTD

TITLE	1.8mm PITCH 90° WAFER SMT TYPE	DRAWN BY	HYJ	DATE	11/22-'19
PART NO.	L1801AWR-02-F4MA1-R	CHECKED BY			
DRAWING NO.		APPROVED BY			
SCALE	1:1	UNIT	mm	PAGE	1/1
SIZE	A4				