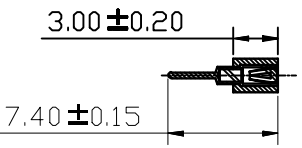
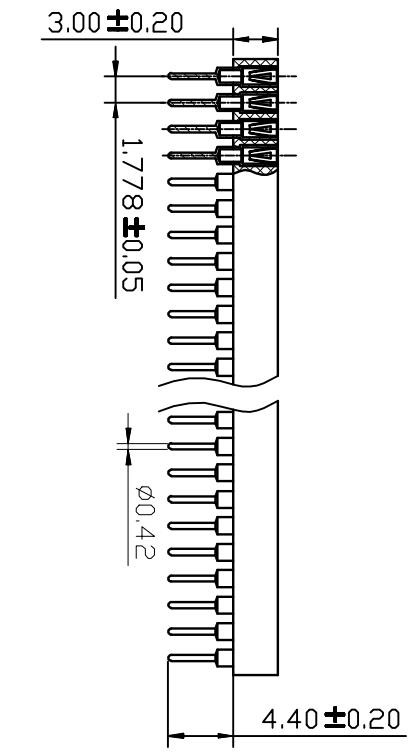
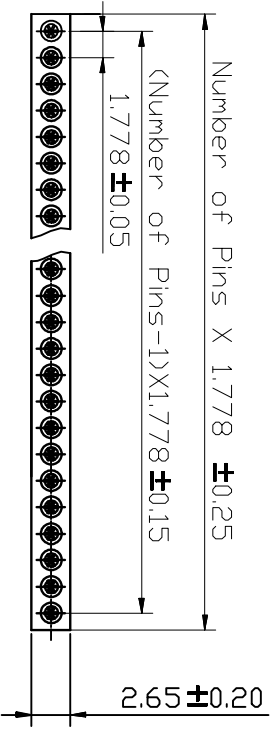


HSE ROHS

REV	EXN NO	DESCRIPTION	DATE	NAME
1		NEW		



Ordering Information

L488XX - X X XX X

NO. of Pins
Per Row:
01-40P

The connection method
0=180°

Contact Plating
1=Gold flash
2=Au/Tin
3=Tin

Serial NO.
01-99

Packing
A=PB Bag
B=Tube
C=Tray
D=Reel

Masterfals

Pin (outer sleeve): Brass, machined, CuZn39Pb2
Clip(contact finger): 350y/finum copper, lead treated
Packing(outer sleeve):
Tin plated: 2uTm/80u/nickel, 5um/200u/Tin
Gold plated: 2uTm/80u/nickel, full gold
Plating clip(contact): 2um/80 u/nickel gold or tin plating
Insulator body(Black): Glass filled thermoplastic polyester UL94V-0

Electrical

Current rating: 3 Amp/contact max.
Contact resistance: $^{\circ}C4m / contact$
Insulation resistance: $^{\circ}R1000M$ at $V=100V$
Operating voltage: 50 AC/DC

Mechanical

Operating temperature: Gold plated: -55 °C to +105 °C
(Continuous) Tin plated: -40 °C to +105 °C
Average insertion force with steel pin of 0.43mm/0.017" <math>< 200g</math>
Average withdrawal force with steel pin of 0.43mm/0.017" $> 50g$
Mechanical strength: 200
Soldering temperature: 280 °C, 1ea, 10ea max

Application

1. The open frame is most common type.
2. The open body design gives better access (for cleaning and inspections) to air-cooling.
3. Side and end stackable.
4. High retention design prevents IC walkout during heavy vibration.
5. Chased bottom sleeve for 100% anti-wicking of solder.
6. Twist free construction.

Solderability: IEC 68-2-64 Ta)235/ea, 5ea Max
Resistance to soldering heat: IEC 68-2-20 Tb)280/ea, 5ea Max

STANDARD TOLERANCE (EXCEPT SPECIFIED)		ANGLES	
LINER	0. ±0.30	0.°	±3°
	.00 ±0.20	.0°	±2°
	.000 ±0.10	.00°	±1°

LDCONN 东莞连大精密制品有限公司		DRAWN BY		Lu Junhui		DATE		18.11.10	
Dongguan Lianda Precision Products Co., LTD		CHECKED BY							
PART NO L488XX-01XX		DRAWING NO		APPROVED BY					
SCALE 1:1		UNIT mm		PAGE		1/1		SIZE A4	