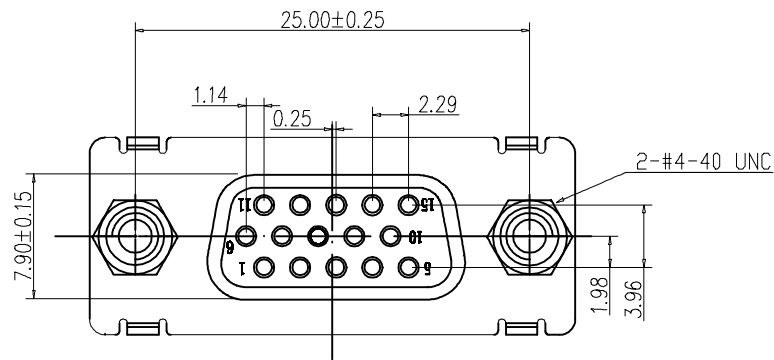


# HSF RoHS

REV	ECN NO	DESCRIPTION	DATE	NAME
A		NEW		

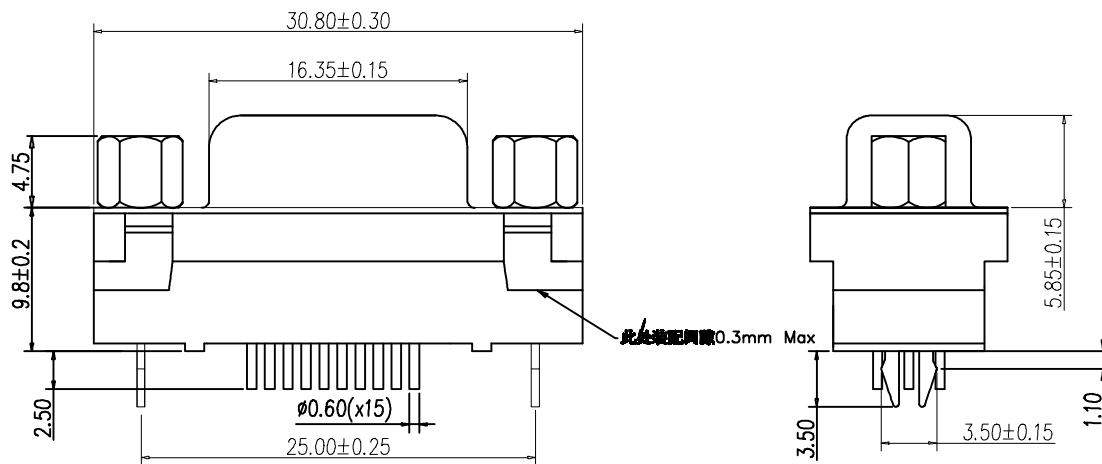


**MATERIALS:**

Contact : Brass  
 Housing: PBT, UL 94V-0 blue  
 Shell : Cold Roller Steel  
 Board lock: SPCC  
 SCREW:free-cutting Steel

**FINISHES:**

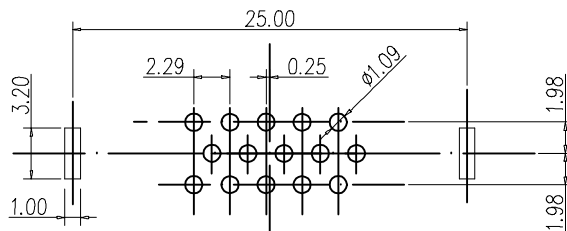
Contact Finish: TIN PLATING OVER ALL.  
 NICKEL UNDER PLATING OVER ALL.  
 Shell Finish: NICKEL PLATING OVER ALL.  
 Board lock Finish: TIN PLATING OVER ALL.  
 NICKEL UNDER PLATING OVER ALL.



**Ordering Information**

**L880X X - X X XX X**

- 0: 180°
- 1: 90°
- 2: SMT
- 9: Welding line
- 1: Riveted screw
- 2: Locking screw
- 3: Without screw
- 4: No screw holes
- 1: Black
- 2: White
- 3: Blue
- 8: Atrovireous
- 0: 0.8U"
- 1: 1U"
- 4: 3U"
- 5: 5U"
- 6:
- 7: Au/Sn
- 8: Ni
- Serial number 01-99
- Packing: A-PE Bag, B-Tube, C-Tray, D-Roal



P.C.B LAYOUT  
TOP VIEW

STANDARD TOLERANCE (EXCEPT SPECIFIED)			
LINER		ANGLES	
.0	±0.30	0.°	±3°
.00	±0.25	.0°	±2°
.000	±0.15	.00°	±1°

LDCONN 东莞连大精密制品有限公司 DongGuan LianDa Precision Products Co., LTD									
TITLE		D-sub-X 15P Female 180° With harpoon Straight locks H9.8		DRAWN BY		Lujunhui		18.11.07	
PART NO		L88002-XXXXX		CHECKED BY					
DRAWING NO				APPROVED BY					
SCALE	1:1	UNIT	mm		PAGE	1/1	SIZE	A4	