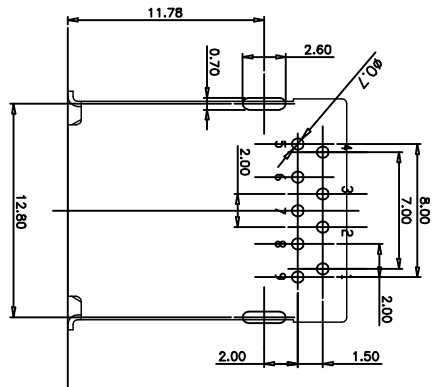
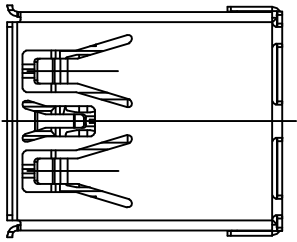
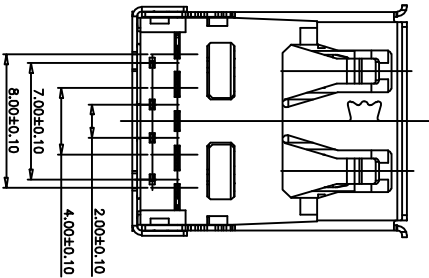
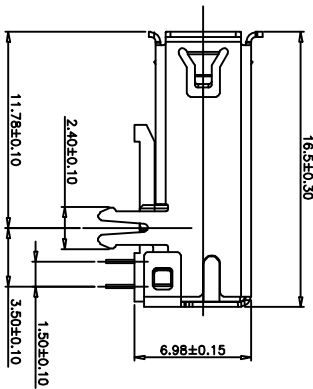
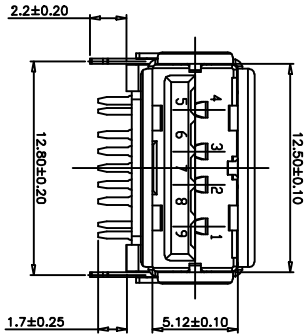


HSE ROHS

REV	ECN NO	DESCRIPTION	DATE	NAME
A		NEW		



TOLERANCE: ± 0.05 , THICKNESS: 1.2mm
RECOMMENDED PCB LAYOUT
(TOP VIEW)



- NOTE:
- MATERIAL:
 - INSULATOR: LCP UL 94V-0 ;
 - CONTACT: C5191R-H(T=0.20mm),
 - SHELL: SUS 201(T=0.30mm)
 - ELECTRICAL CHARACTERISTICS:
 - CONTACT RESISTANCE: 30mΩ Max
 - CONTACT CURRENT RATING: 1.5A
 - DIELECTRIC WITHSTANDING VOLTAGE: 500 V R.M.S.
 - INSULATION RESISTANCE 100 MEGOHMS Min
 - OPERATING TEMPERATURE: -40°C ~ 85°C
 - MECHANICAL CHARACTERISTICS:
 - MATING FORCE: 35 N Max
 - UNMATED FORCE: 10 N Min INITIAL; 8 N Min AFTER TEST
 - DURABILITY: 5,000 CYCLES
 - PLATING
 - TERMINAL CONTACT: (SEE TAB) GOLD PLATING ALL OVER 50u" MIN NICKEL AND 80u" MIN MATTE Tin ALL OVER 50u" MIN NICKEL IN SOLDER AREA
 - SHELL: 50u" MIN. NICKEL ALL OVER

Ordering Information

L75709 - 1 1 X XX X

PIN 09=9p

Layer
1=Single Layer

Colour
3=Blue
1=Black
2=White

Serial NO.
01-99

Packing
C=Tray
D=Reel

Pin #	IGNAL NAME	DESCRIPTION	MATING SEQUENCE
1	VBUS	POWER	SECOND
2	D-	USB 2.0 DIFFERENTIAL PAIR	THIRD
3	D+		
4	GND	GROUND FOR POWER RETURN	THIRD
5	SS1C	SUPER SPEED RECEIVER DIFFERENTIAL PAIR	LAST
6	SS2C		
7	GND_DRAIN	GROUND FOR SIGNAL RETURN	
8	SS1T	SUPER SPEED TRANSMITTER DIFFERENTIAL PAIR	
9	SS2T		
Shell	Shield	CONNECTOR METAL SHELL	FIRST

STANDARD TOLERANCE
(EXCEPT SPECIFIED)

LINER	ANGLES
0 ±0.30	0° ±3°
.00 ±0.20	0° ±2°
.000 ±0.10	.00° ±1°

LDCONN 东莞连大精密制品有限公司 Dongguan Lianda Precision Products Co., LTD	
TITLE	USB 3.0 A/F Right Angle, Horspoon Feet Type, Roll Edge
PART NO	L75709-11XXXX
DRAWING NO	CHECKED BY
SCALE	1:1
UNIT	mm
PAGE	1/1
SIZE	A4
DRAWN BY	Lu Junhui
CHECKED BY	
APPROVED BY	