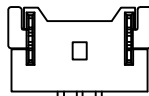
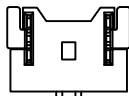


HSF RoHS

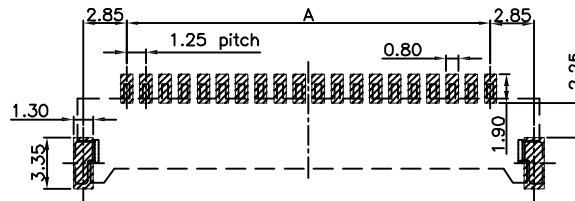
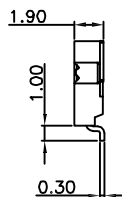
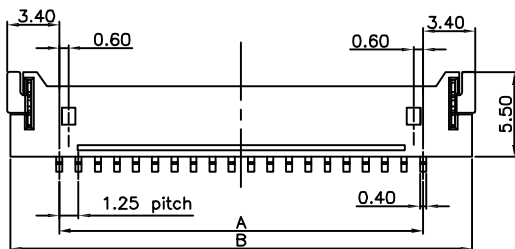
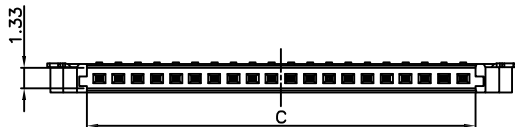
REV	ECN NO	DESCRIPTION	DATE	NAME
A		NEW		



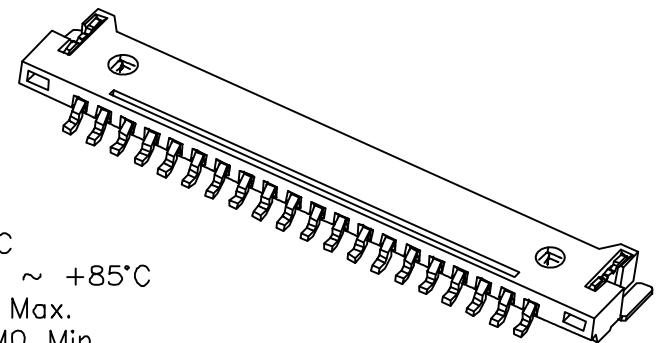
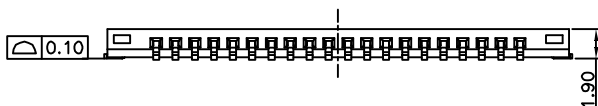
3 PIN



2 PIN



RECOMMEND PCB LAYOUT COMPONENT SIDE
DEFAULT TOLERANCES ± 0.05mm



Ordering Information

SPECIFICATIONS

Current Rating: 1A AC,DC
 Voltage Rating: 125V AC,DC
 Temperature Range: -25°C ~ +85°C
 Contact Resistance: 20mΩ Max.
 Insulation Resistance: 100MΩ Min.
 Withstanding Voltage: 500V AC/minute
 Pin Material: Brass/Gold-plated 3u"
 Solder Tabs: Brass/Gold-flash
 Material: Nylon 6T,UL94V-0
 Color: Natural(Beige)

L112XX - X X X 0 XX X
 Pin Per Row ————
 1. Single Row ————
 2:P A6T
 3:N Y6T
 4: LCP
 5:P A46
 Serial NO. ————
 01-99
 Packing ————
 A=PE Bag
 0.180°
 1.90°
 2. SMT
 3. Lying Paste

STANDARD TOLERANCE (EXCEPT SPECIFIED)	
LINER	ANGLES
.0 ±0.30	0.° ±3°
.00 ±0.20	.0° ±2°
.000 ±0.10	.00° ±1°

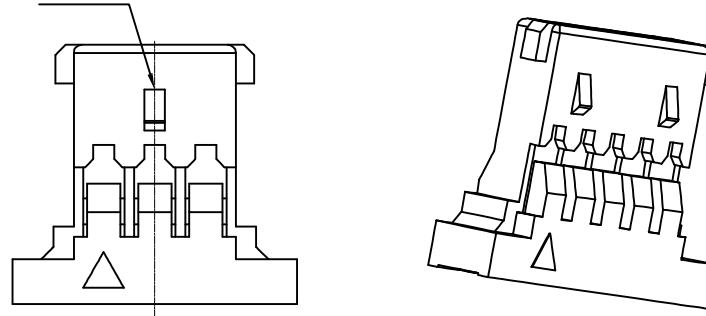
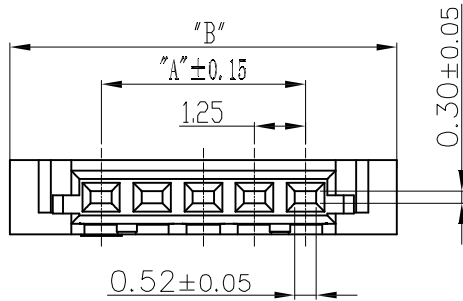
LDCONN 东莞连大精密制品有限公司 DongGuan LianDa Precision Products Co., LTD									
TITLE	WAFER PH1.25 NP A1254 Ultrathin SMT HL 9		DRAWN BY	ZSL	18.09.28				
PART NO	L112XX-1340XXX		CHECKED BY						
DRAWING NO			APPROVED BY						
SCALE	1:1	UNITE	mm	PAGE	1/1	SIZE	A4		

HSF ROHS

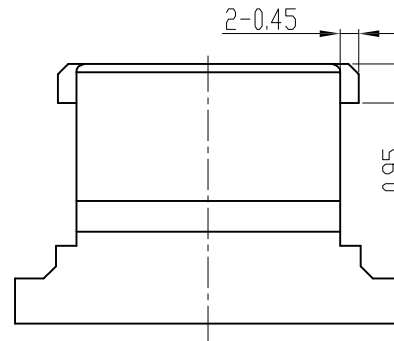
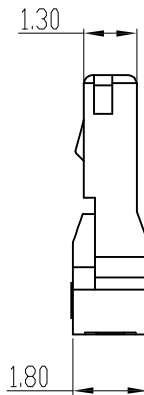
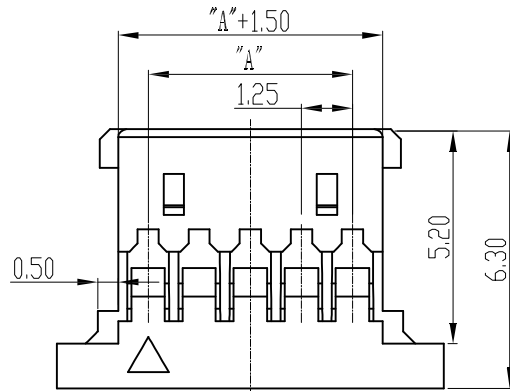
REV	ECN NO	DESCRIPTION	DATE	NAME
A		NEW		

Poles	DIM. A	DIM. B
2	1.25	5.75
3	2.50	7.00
4	3.75	8.25
5	5.00	9.50
6	6.25	10.75
7	7.50	12.00
8	8.75	13.25
9	10.00	14.50
10	11.25	15.75
11	12.50	17.00
12	13.75	18.25
13	15.00	19.50
14	16.25	20.75
15	17.50	22.00
20	23.75	28.25
30	36.25	40.75

Single card point



2P, 3P



Notes:

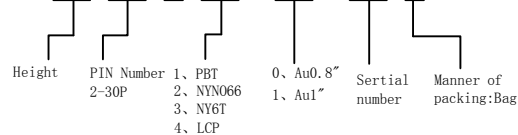
- Current rating: 1.0A
- Voltage rating: 125V
- Withstand coltage: 500V AC/minute
- Contact resistance : $\leq 30m\Omega$
- Insulation resistance: 100M Ω Min
- Working temperature: -25°C ~ +85°C

MATERIAL:

HOUSING NYLON66 UL94V-0 HF White

Ordering Information

L510 XX-XX 3 XX XX XX X



STANDARD TOLERANCE
(EXCEPT SPECIFIED)

LINER		ANGLES	
.0	±0.30	0.°	±3°
.00	±0.20	.0°	±2°
.000	±0.10	.00°	±1°

LDCONN 东莞连大精密制品有限公司

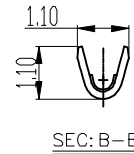
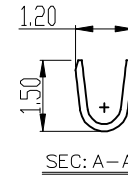
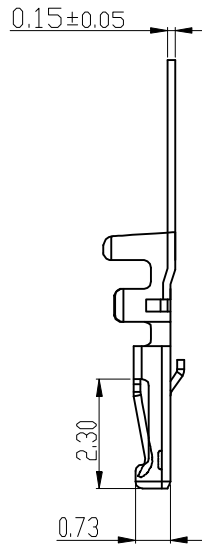
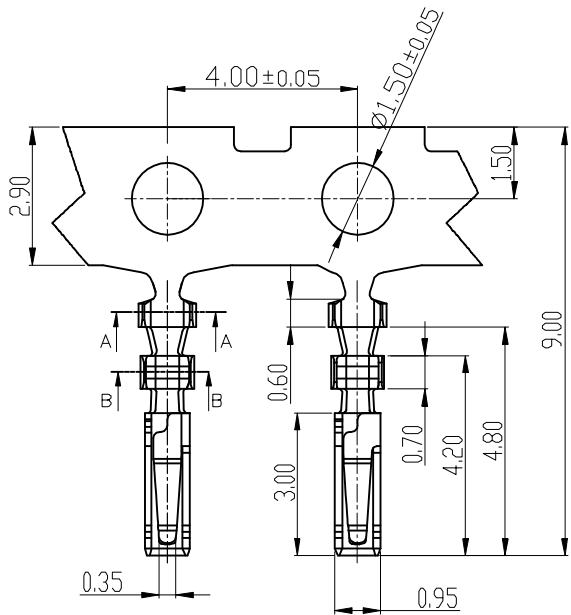
連大

DongGuan LianDa Precision Products Co., LTD

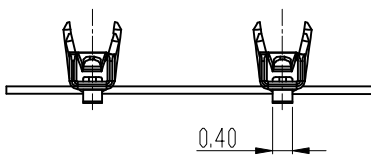
TITLE	WTB 1.25mm PITCH PLUG Base	DRAWN BY	ZSL	18.09.28
PART NO	1510XX-XX321XXX	CHECKED BY		
DRAWING NO		APPROVED BY		
SCALE	1:1	UNIT	mm	PAGE 1/1
				SIZE A4

HSF RoHS

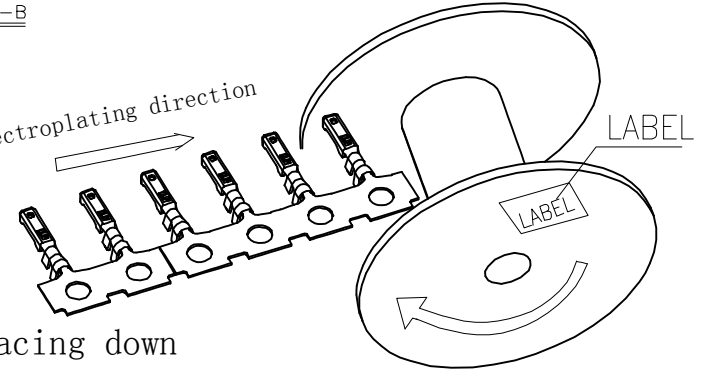
REV	ECN NO	DESCRIPTION	DATE	NAME
A		NEW		



Ordering Information
T409 XX- X X XX
 Height Material Plating Serial number



Electroplating direction



The shrapnel is facing down
 Clockwise feeding direction

20/pcs/R

NOTES:

- MATERIAL: PHOSPHOR BRONZE
 JIS 5191R-H, HV210±10° T=0.15mm.
- FINISH: Pating NICKEL 30u" MIN , Au
 flash gold PLATING OVER ALL.
- WIRE RANGEL: WAG #28~#30;

LDCONN 东莞连大精密制品有限公司
 連大 DongGuan LianDa Precision Products Co., LTD

STANDARD TOLERANCE (EXCEPT SPECIFIED)	
LINER	ANGLES
.0 ±0.30	0.° ±3°
.00 ±0.20	.0° ±2°
.000 ±0.10	.00° ±1°

TITLE	WTB 1.25mm PITCH PLUG	DRAWN BY	ZSL	18.09.28
PART NO	T409XX-X X XX	CHECKED BY		
DRAWING NO		APPROVED BY		
SCALE	1:1	UNIT	mm	PAGE
				1/1
				SIZE
				A4