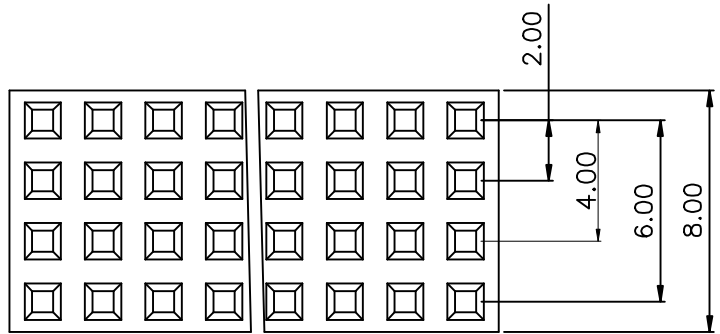


# HSF RoHS

| REV | ECN NO | DESCRIPTION | DATE | NAME |
|-----|--------|-------------|------|------|
| A   |        | NEW         |      |      |

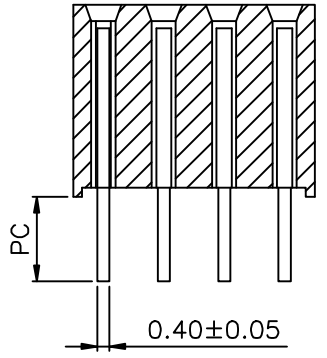
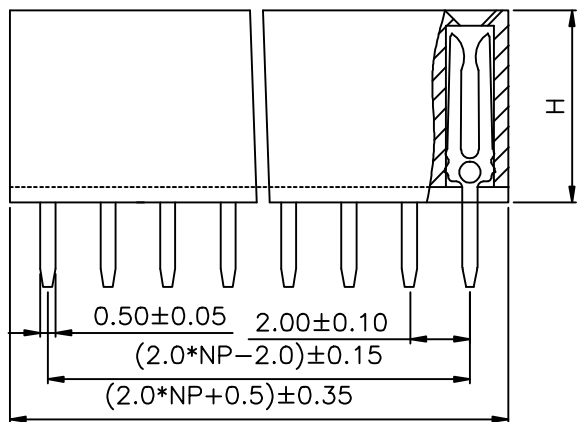


### Specifications

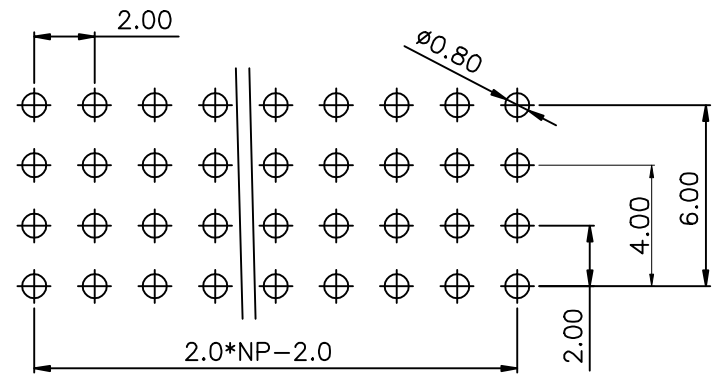
1. Current Rating: 2Amps
2. Contact Resistance: 20mΩ
3. Insulator Resistance: 1000 Megohms min.
4. Dielectric withstanding Voltage: AC/DC 1000V
5. Operating Temperature: -40°C to +105°C
6. Contact Material: Copper alloy
7. Insulator Material: As follows
8. Plated: As follows

### Ordering Information

L306 XX -XX 1 X X XX X



| Insulation Height*Wide (H*W)<br>Option:                            | NO. of Pins Per Row:<br>1-40P | Insulation Material<br>Option:  | Contact Plating<br>0=0.8" Gold<br>1=Au1" Gold<br>2=Au1.5" Gold<br>3=Au2" Gold<br>4=Au3" Gold<br>5=Au5" Gold<br>6=Customized<br>7=Gold/Tin<br>8=Tin | Serial NO.<br>01-69 (No pillars)<br>70-89 (pillars)<br>90-99 (outside pillars) | Packing<br>A=PE Bag<br>B=Tube<br>C=Tray<br>D=Reel |
|--|-------------------------------|---|--|--|---|
| 50=5.0*5.2<br>57=5.7*5.0<br>71=7.5*5.0<br>75=7.1*5.0<br>85=8.5*5.0 |                               | 1=PBT<br>2=PPS<br>3=NY6T<br>4=LCP<br>5=NY66<br>6=Customized<br>7=NY46<br>8=NY9T |  |  |   |



PCB LAYOUT

| STANDARD TOLERANCE (EXCEPT SPECIFIED) |       |        |     |
|---------------------------------------|-------|--------|-----|
| LINER                                 |       | ANGLES |     |
| .0                                    | ±0.30 | 0.°    | ±3° |
| .00                                   | ±0.20 | .0°    | ±2° |
| .000                                  | ±0.10 | .00°   | ±1° |

| LDCONN 东莞连大精密制品有限公司<br>DongGuan LianDa Precision Products Co., LTD |   |             |          |          |     |
|--|---|-------------|----------|----------|-----|
| TITLE  | PH2.0mm 4XNP 180° Dual row Female Header Y Type | DRAWN BY    | Lujunhui | 18.08.18 |     |
| PART NO  | L308XX-XX0XXXXX                                 | CHECKED BY  |          |          |     |
| DRAWING NO   |   | APPROVED BY |          |          |     |
| SCALE  | 1:1   | UNIT        | mm       | PAGE     | 1/1 |
|  |   |             |          | SIZE     | A4  |