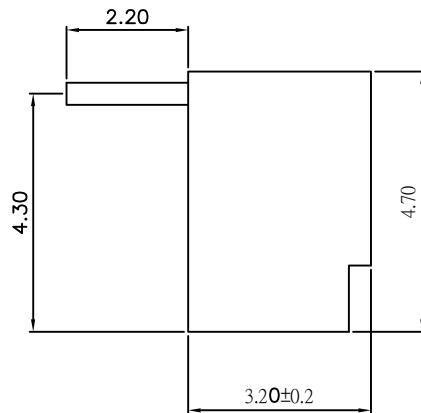
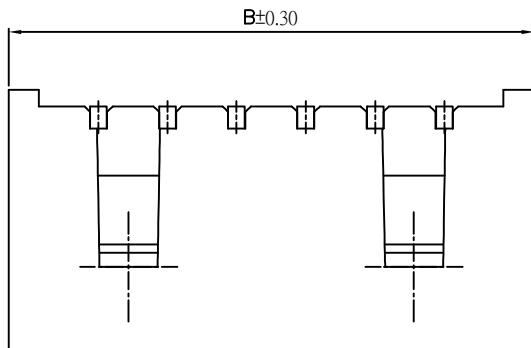


# HSF RoHS

REV	ECN NO	DESCRIPTION	DATE	NAME
A		NEW		



Note:

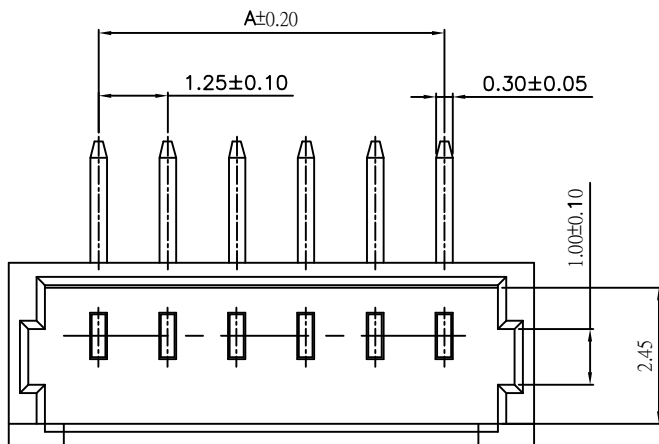
1.Material

- 1.1: Housing: NY66 Color:White.
- 1.2: Contact: Phosphor Bronze,Tin.

2.Rating:

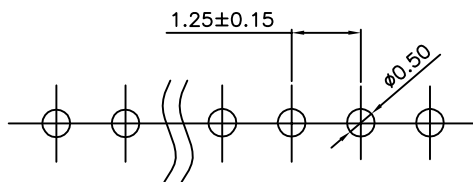
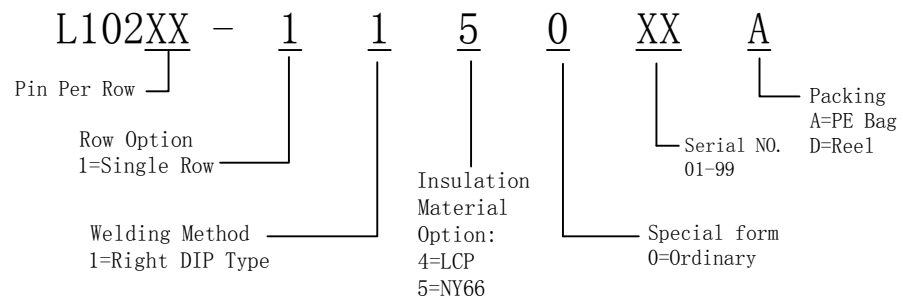
- 2.1: Operating Voltage: 125V AC/DC.
- 2.2: Current Rating: 1A AC/DC.
- 2.3: Operating Temperature:-25°C~+85°C.
- 2.4: Contact Resistance:30 mΩ max.
- 2.5: nsulation Resistance:100 MΩ min.
- 2.6: Dielectric withstanding Voltage: AC 250V
- 2.7:Applicable Wire:AWG#28~#32

3.Pater Number:



PIN NO.	Dimensions	
	A	B
2P	1.25	4.50
3P	2.50	5.75
4P	3.75	7.00
5P	5.00	8.25
6P	6.25	9.50
7P	7.50	10.75

## Ordering Information



PCB LAYOUT

STANDARD TOLERANCE (EXCEPT SPECIFIED)

LINER	ANGLES
.0 ±0.30	0.° ±3°
.00 ±0.20	.0° ±2°
.000 ±0.10	.00° ±1°

**LDCONN 东莞连大精密制品有限公司**  
**連大 DongGuan LianDa Precision Products Co., LTD**

TITLE	PHI. 25mm, Single row, DIP Right Type	DRAWN BY	WZG	17.03.30
PART NO	L102XX-1050XXA	CHECKED BY		
DRAWING NO		APPROVED BY		
SCALE	1:1	UNIT	mm	
PAGE	1/1	SIZE	A4	